

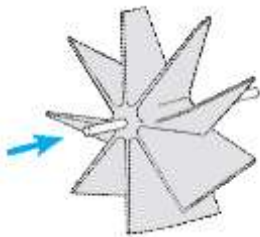
APPLICATIONS

The Voyager 80 is a hydrant meter with a flow range suitable for measuring fire hydrants and other fire service systems. The lightweight, aluminum body meter can be fitted for any utility or construction requirements. The Voyager has a robust turbine measuring element capable of withstanding the high flow and start/stop punishment of these applications. A full cage can be provided to protect the register and optional GPS unit from damage at construction sites and during transportation.

Fitting the Voyager with an innov8-VN register conveniently provides remote cellular-based readings via Metron's Waterscope System. This allows the utility to track reads and consumption during the meter's field time. An optional GPS unit also allows the utility to track the location of the meter on Google™ Maps.

OPERATIONS

The Voyager meters utilize an innovative bearing design based on the proven Woltman turbine concept. A turbine is mounted on a shaft oriented parallel to the flow stream. The water forces the blades of the turbine to rotate the shaft in proportion to the velocity of the flow.



Due to the advanced bearing design, the meter maintains accuracy at almost any orientation, including vertical.



DESIGN FEATURES

- Calibrate-able measuring chamber
- Field replaceable measuring chamber
- Protective register cage
- Lightweight epoxy coated aluminum body
- For horizontal or vertical installation
- Outstanding long-term accuracy through hydraulic bearing relief
- Register head can be rotated 365° for easier reading
- Compatible with Innov8 VN electronic registers
- Optional GPS tracking device

MATERIALS

The Voyager meters are designed and manufactured to meet or exceed AWWA C701 Class II standards design and performance specifications.

STANDARDS

AWWA C701 Class II

MECHANICAL SPECIFICATIONS

DIMENSIONS

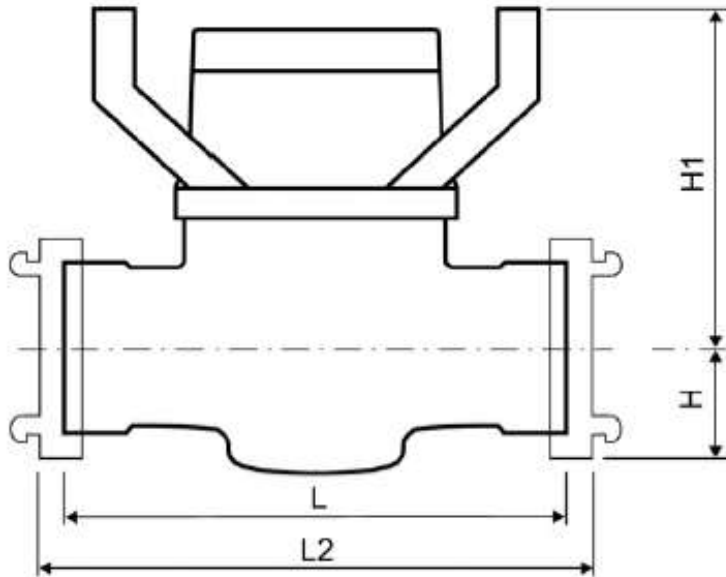
Size	3"
Nominal Thread Diameter	2.5"
Lay Length (no couplings) L	11.8"
Overall Height	9.875"
Bottom Centerline Height H	3.375"
Top Centerline Height H1	5.5"
Overall Width	6.5"
Weight	15 lbs
Threads	1" NPSM

MATERIALS

Body & Top-plate:	Nylon Composite
Register Housing:	Thermoplastic

MARKINGS

Engraved on Meter Body:	Model
	Direction of Flow Arrow



FLOW & PRESSURE SPECIFICATIONS

Voyager 3" Model

Normal Operating Range (98.5 to 101.5%)	3.5 to 528 gpm	(0.8 to 636 m3/hr)
Low Flow (95% min)	2.2 gpm	(0.5 m3/hr)
Max Continuous Duty ¹	528 gpm	(636 m3/hr)
Max Intermittent ²	880 gpm	(200 m3/hr)
Pressure Loss at Max Continuous	1.45 psi	(0.1 bar)
Max Operating Pressure	230 psi	(15.9 bar)
Max Operating Temperature	140 °F	(60 °C)

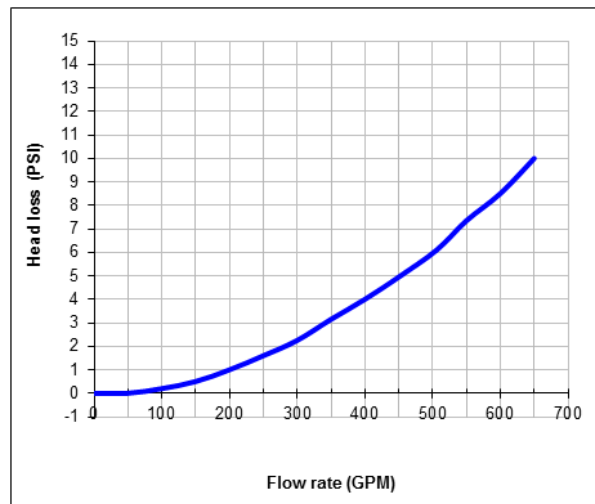
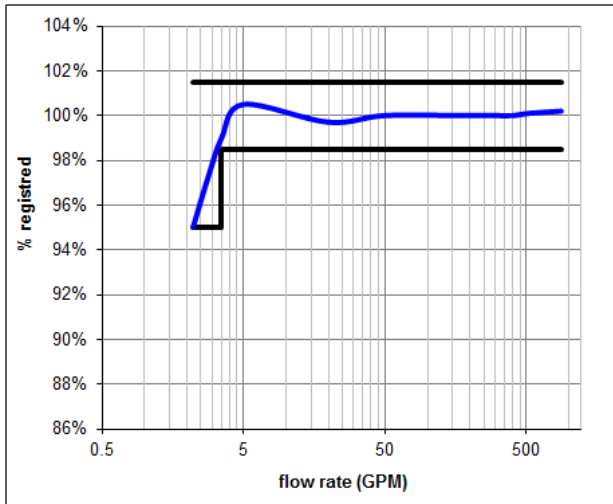
Notes

- 1 Max Continuous defined by AWWA as flow rate which can be maintained 24 hrs/day x 7 days/week
- 2 Max Intermittent defined as flow rate which can be maintained 1 hr/day average

FLOW ACCURACY

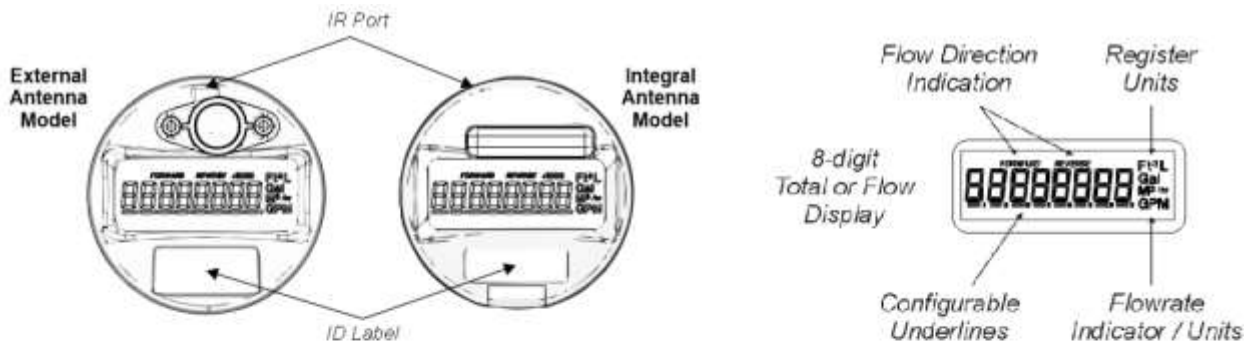
PRESSURE DROP

Voyager



REGISTERS

The innov8 electronic register is the water industry’s new standard for register performance. The innov8 offers maximum resolution, a multitude of standard features, on-board datalogging and a variety of cellular, AMI, AMR and SCADA output options. The innov8 is designed for all environments and incorporates the largest battery available for utility applications. The innov8 can be deployed on any Metron water meter.



<p>USG Configuration 0.1 Gallon Resolution</p>	<p>USG - Residential Meters (x0.1)</p>	<p>USG Flowrate - All Meters (x0.01)</p>
<p>Ft3 Configuration 0.01 Ft3 Resolution</p>	<p>Ft3 - Residential Meters (x0.01)</p>	<p>Ft3 Flowrate - All Meters (x0.01)</p>
<p>m3 Configuration 0.001 m3 Resolution</p>	<p>m3 - Residential Meters (x0.001)</p>	<p>m3 Flowrate - All Meters (x0.001)</p>

WARRANTY

Please contact your Metron representative for formal warranty certifications.

LEGAL

Due to applicable regulations and product improvements, Metron-Farnier reserves the right to change the product specifications without notice.

DS version Apr-2020A