

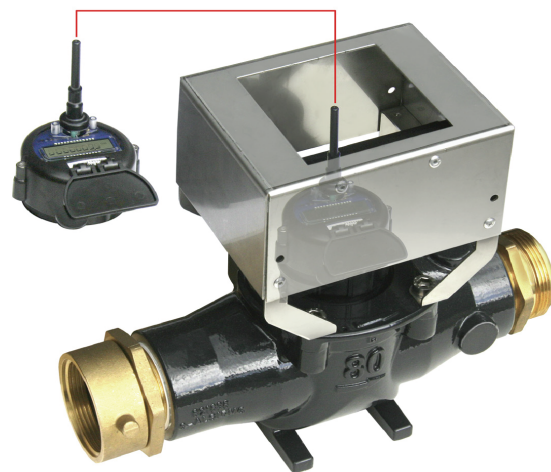
Metron Farnier

Smart Water Meters & Systems

Introducing the Industry's First HYDRANT METER with Daily Cellular Reading

VOYAGER With **GPS** HYDRANT METER Optional **Tracking**

- Web-Based Reading and Billing Interface daily through the existing Verizon Wireless network
- No more off-route or "traveling meter" manual readings
- Readings accessed on Water Scope Analytics website or mobile app
- No monthly or annual cellular charges
- No waiting for contractor call-ins



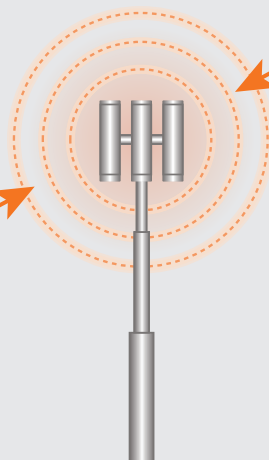
GPS Specifications

- Collect coordinate reads 16x per day
- Field battery lasts 3+ years



- View meter location in WaterScope

All of your Hydrant Meter Readings Daily via the Internet directly from the *innov8-VN* Cellular Register



verizon[✓] VPN

innov8-VN

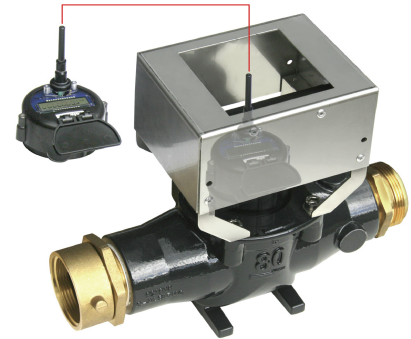
The Voyager Hydrant Meter provides a flow range suitable for measuring hydrants and other construction service applications. The lightweight, top-loading meter can be fitted for any utility or construction requirements. The Voyager, with an innov8-VN Verizon Wireless Cellular Register, conveniently provides internet-accessed readings via Metron's Water Scope Web Portal.

VOYAGER FEATURES INCLUDE:

- Calibratable measuring chamber
- Field replaceable measuring chamber
- Protective register cage
- Lightweight epoxy coated aluminum body
- For horizontal or vertical installation
- Outstanding long-term accuracy through hydraulic bearing relief
- Compatible with Innov8 VN electronic registers
- 5-year warranty

VOYAGER

HYDRANT METER



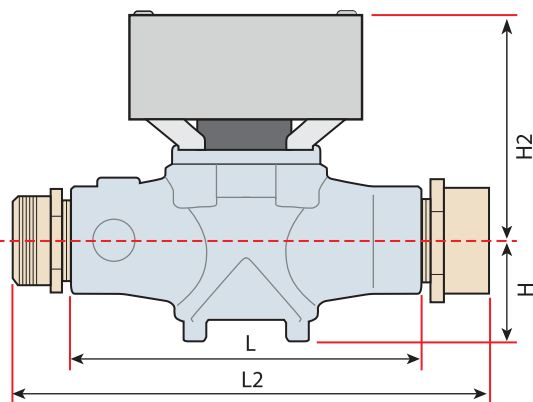
PHYSICAL SPECIFICATIONS

- Model – Voyager
- Type – Turbine
- Body – Epoxy coated aluminum
- Register – Innov8 VN
- Dimensions – See Figure 1
- Weight – 17 lbs (with fittings)

FUNCTIONAL SPECIFICATIONS

- Fluids Measured: Potable cold or reclaimed water
- Flow Range – See Table 1
- Accuracy: +/-1.5% Flow Range: 2-600 GPM
- Pressure Loss: 6 PSI @500 GPM
- Warranty: 5 Year – Materials & Workmanship
- Ambient Operating Temperature: -131° F (50°C)
- Nominal Pressure: 232 PSI (16 bar)

STANDARDS – AWWA C701 Class II
Figure 1 – Meter Dimensions



Nominal Thread Diameter		2.5	in.
Overall Length (no couplings)	L	11.8	in.
Overall Length (w/couplings)	L2	15.7	in.
Overall Height		13	in.
Bottom-Centerline Height	H	3.37	in.
Top-Centerline Height	H2	5.5	in.
Width		6.7	in.
Weight		17	lbs

Downloadable Apple/
Android Mobile App
for Meter Reading,
Data Log and Alarms

WATERSCOPE
Cloud-Based Meter Reading, Analytics & Billing

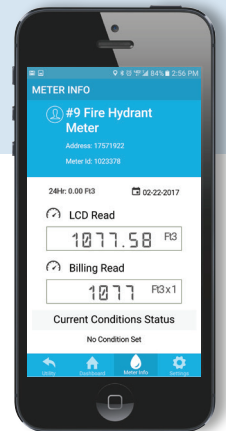


Table 1 – Flow Specifications and Curves

Model	Size	Minimum Flowrate ¹ (95% - 101.5%)	Normal Operating Range (98.5% - 101.5%)	Maximum Continuous Duty ²	Max Intermittent Flow ³	Head Loss & Max Continuous Flow
Voyager	3"	2.0 <i>gpm</i>	3.5 500 <i>gpm</i>	500 <i>gpm</i>	800 <i>gpm</i>	6.0 <i>psi</i>

All flow specifications assume typical, consistent system pressure conditions. Adverse pressure conditions will effect the performance of the meters.

- 1 Minimum Flowrate: This flow is applicable for both horizontal and vertical alignment.
- 2 Max Continuous Duty: Defined as the flow rate which can be maintained 24 hrs/day for 7 days/week.
- 3 Max Intermittent Flow: Defined as the flow rate which can be sustained for approx. 1hr per day average.